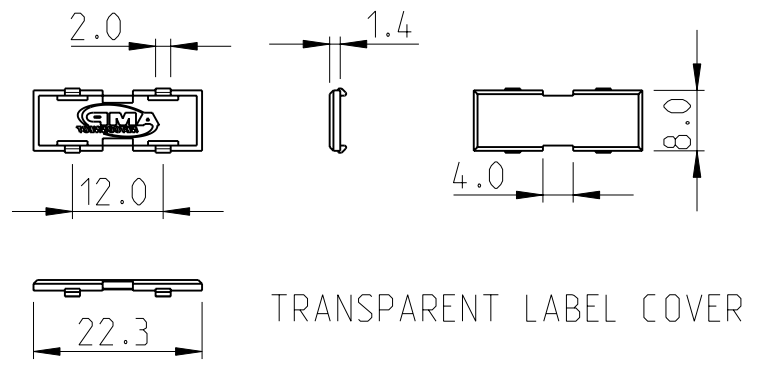
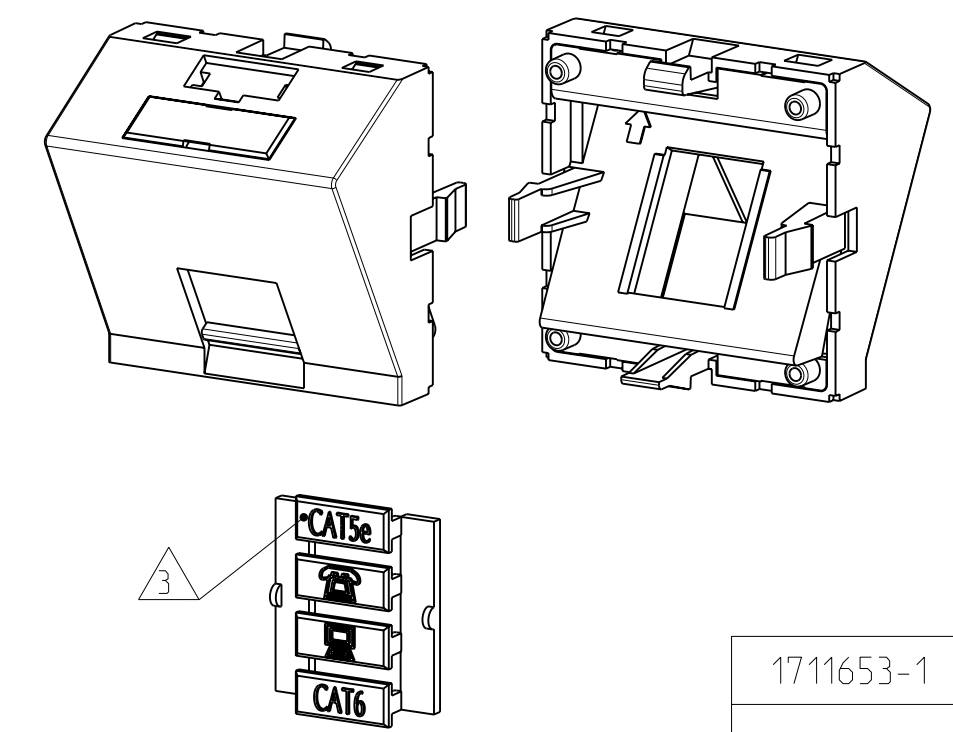
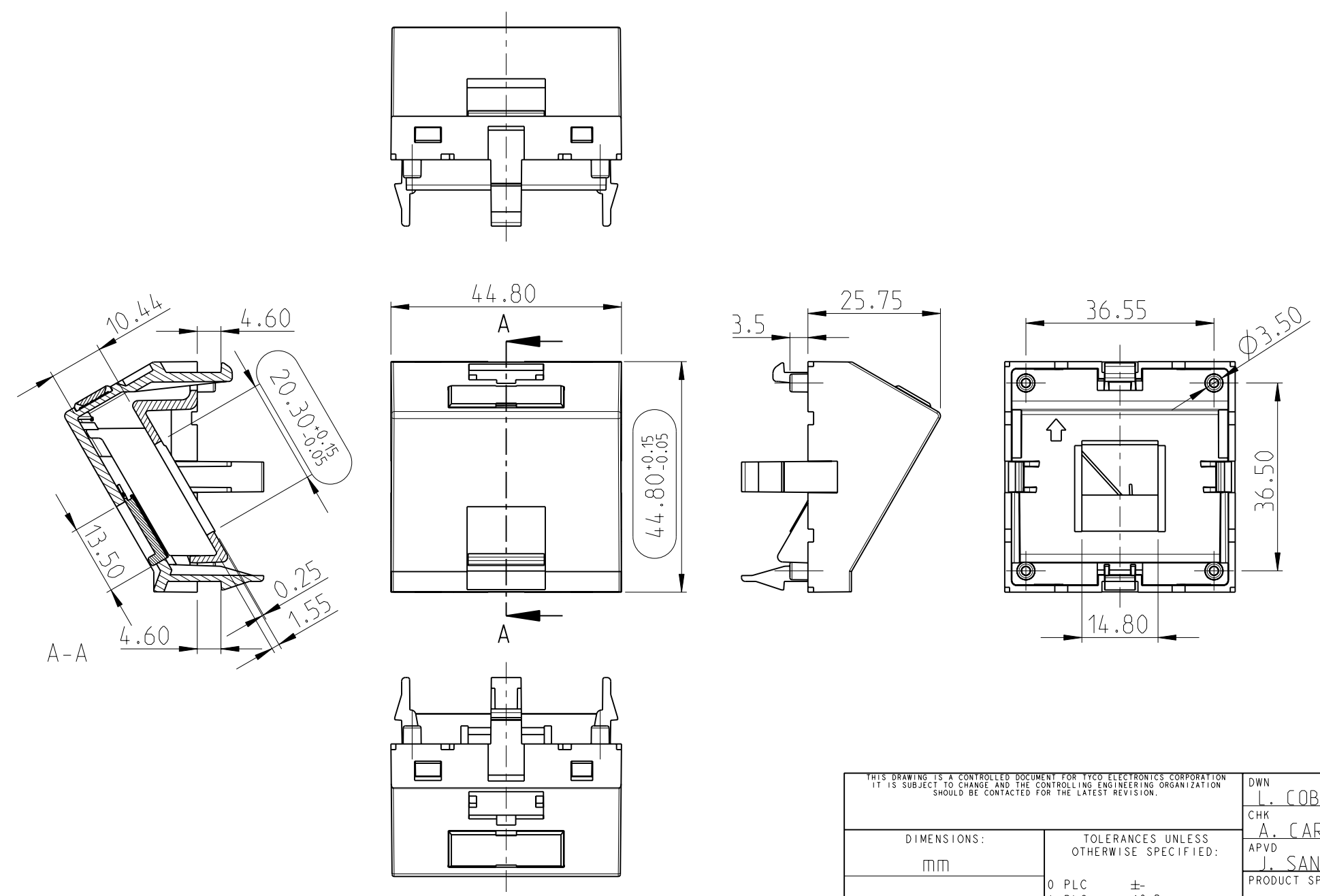


THIS DRAWING IS UNPUBLISHED. RELEASED FOR PUBLICATION 2010
 © COPYRIGHT 2010 BY TYCO ELECTRONICS CORPORATION. ALL RIGHTS RESERVED.

LOC	DIST	REVISIONS				
P	LTR	DESCRIPTION	DATE	DWN	APVD	
1K	2	A	DRAWING RELEASED	26MAY2010	L.C. J.S.	



1. PRODUCT DESCRIPTION:
SINGLE SHUTTERED ANGLED MODULE 45x45
2. PLASTIC COLOUR: WHITE RAL 9010
3. PRODUCT INCLUDES TWO ICON STRIPS (IN BLUE AND RED) WITH:
 - CAT5e
 - PICTOGRAM OF PHONE
 - PICTOGRAM OF COMPUTER
 - CAT6



1711653-1
PART NUMBER

<small>THIS DRAWING IS A CONTROLLED DOCUMENT FOR TYCO ELECTRONICS CORPORATION IT IS SUBJECT TO CHANGE AND THE CONTROLLING ENGINEERING ORGANIZATION SHOULD BE CONTACTED FOR THE LATEST REVISION.</small>		DWN 26MAY2010 L. COBACHO CHK 26MAY2010 A. CARRERAS APVD 26MAY2010 J. SANABRA		Tyco Electronics AMP España, S.A. Barcelona, Spain	
DIMENSIONS: mm		TOLERANCES UNLESS OTHERWISE SPECIFIED: 0 PLC ±- 1 PLC ±0.2 2 PLC ±0.10 3 PLC ±- 4 PLC ±- ANGLES ±-		NAME SINGLE SHUTTERED ANGLED MODULE 45x45 PRODUCT SPEC - APPLICATION SPEC - WEIGHT -	
MATERIAL -		FINISH -		SIZE A3	CAGE CODE -
CUSTOMER DRAWING				DRAWING NO. C-1711653	RESTRICTED TO -
SCALE 1:1				SHEET 1 OF 1	REV A